



Products

		Without Pressure Relief Valve			With Pressure Relief Valve			
		CELLULOSE MEDIA			CELLULOSE MEDIA			
		/4	/1		/4	/1		
		40µm Air	10µm Air		40µm Air	10µm Air		
Family	RMF		RMF		RMF		RMF	
TCO300	300	P171847	270	P171848				
TCO500	500	P173251	470	P171855	500	P171850	470	P171857
TCO501	500	P171851	470	P171856	500	P171852	470	P171858
TCO502	500	P171853	470	P171859	500	P171854	470	P171860
TCO502			470	P761184				

RMF = Recommended Maximum Flow in liters/minute

Technical Data

Series TCO 300:

- Non removable 500 micron mesh basket.

Series TCO 500:

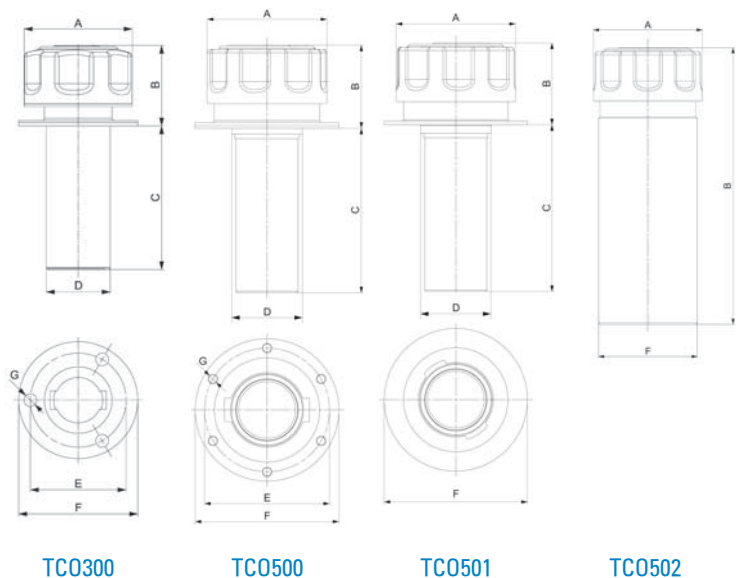
- Removable 500 micron mesh basket.
- 40-10 micron air filter.
- Easy tightening.
- Drilled flanges and fixing screws.

Series TCO 501:

- Features as TCO 500 but with weldable flange.

Series TCO 502:

- Features as TCO 500 but with longer weldable external tube.



Series TCO 503:

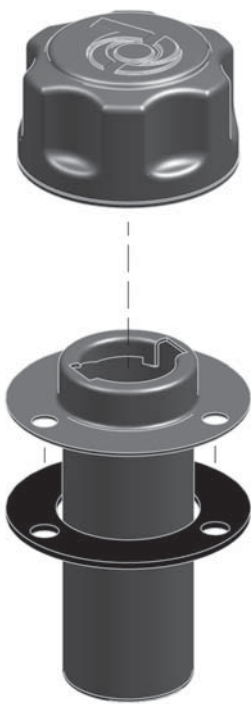
- Non removable 125 micron mesh basket.

Series TCO 500, 501, 502 and TCO 503:

- Available with pressure relief valve setting at 40 kPa (0,4 bar).

For all tank mounting hole: D+2 mm; all screws: M5x12 (UNI 5931)

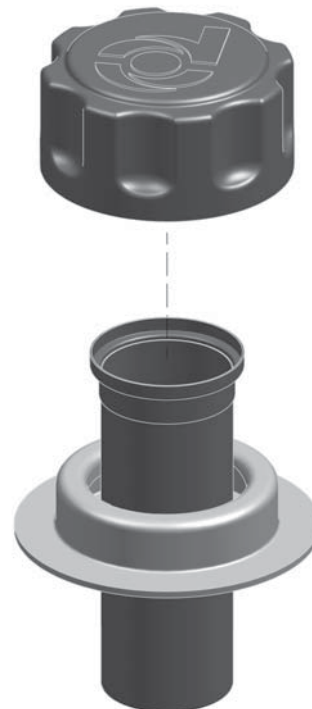
DIMENSIONS						
A	B	C	D	E	F	G
mm	mm	mm	mm	mm	mm	mm
46	35	63	28	41	51	5,5 (3)
70	46	100	40	73	84	5,5 (6)
70	46	100	40		84	
70	180				64	
70	89	188	59	73	84	5,5 (6)



TCO300



TCO500



TCO501



TCO502

ACCESSORIES